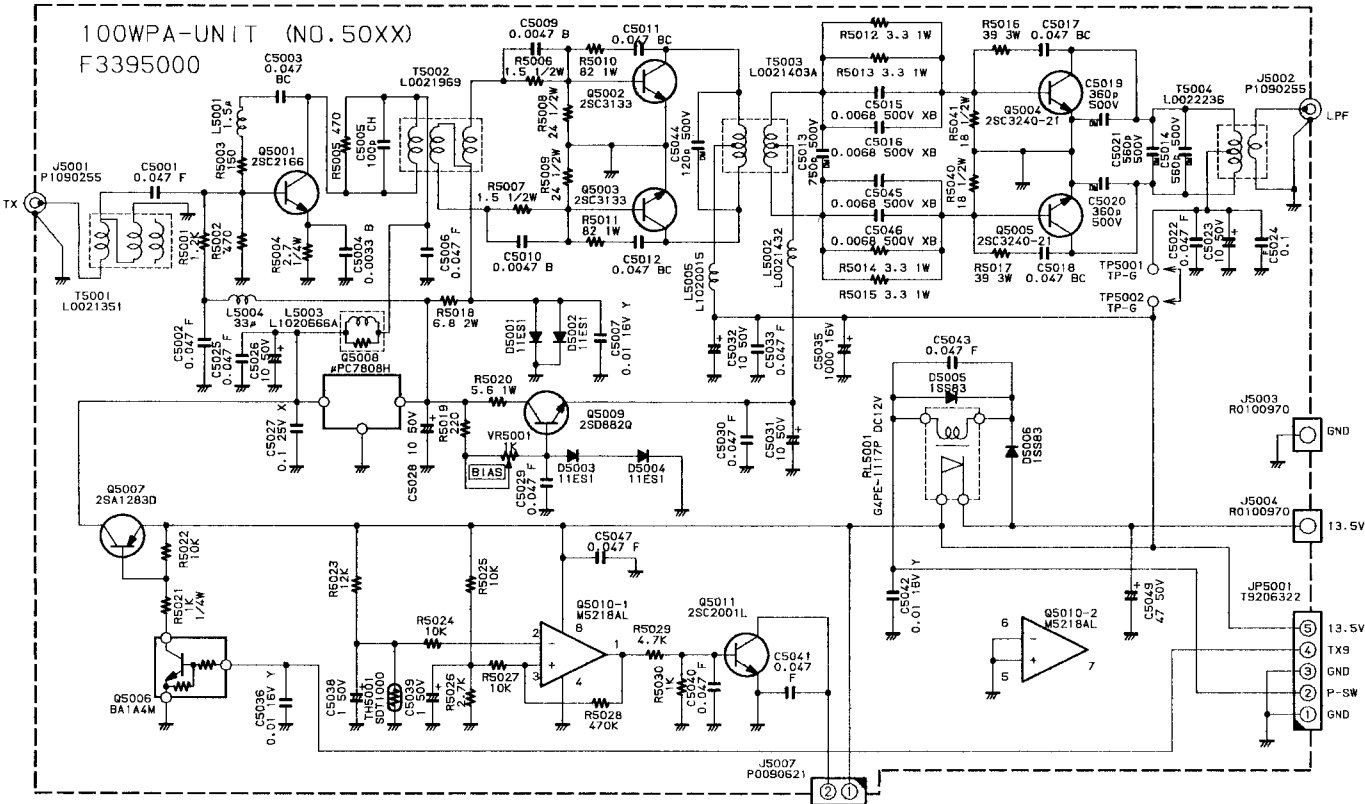


100WPA-UNIT (NO.50XX)
F3395000



LPF

GND

13.5V

13.5V

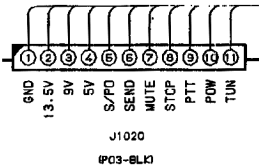
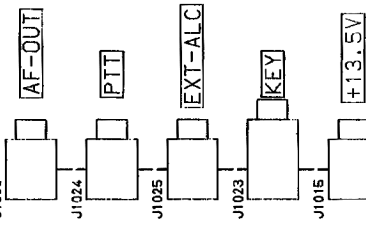
TX9

GND

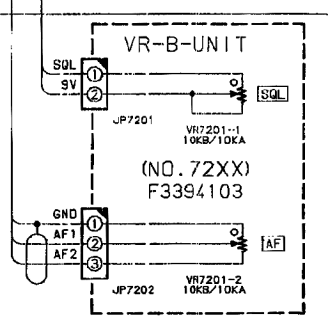
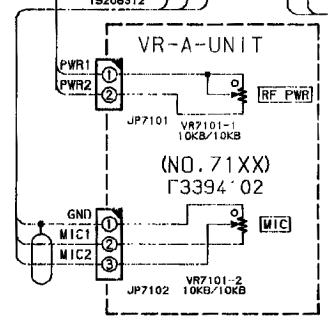
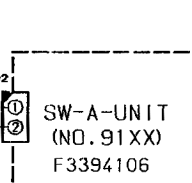
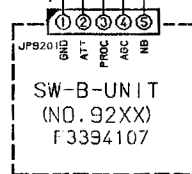
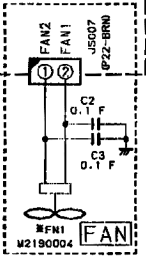
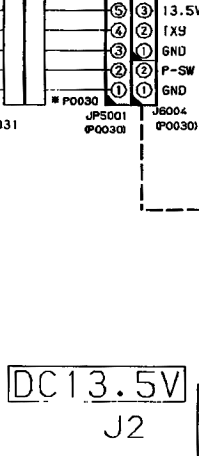
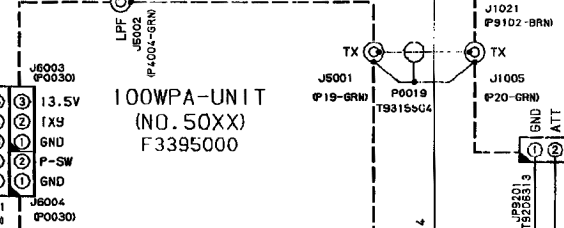
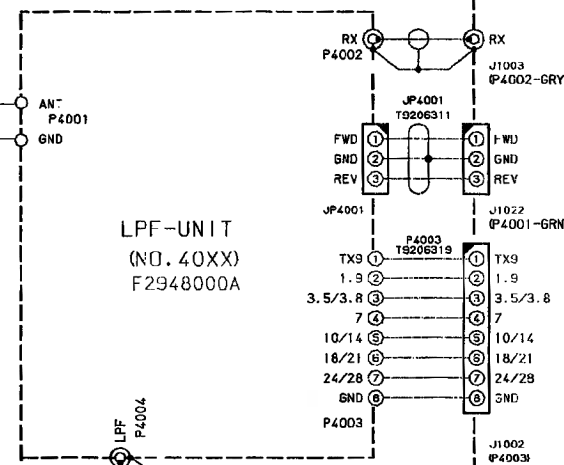
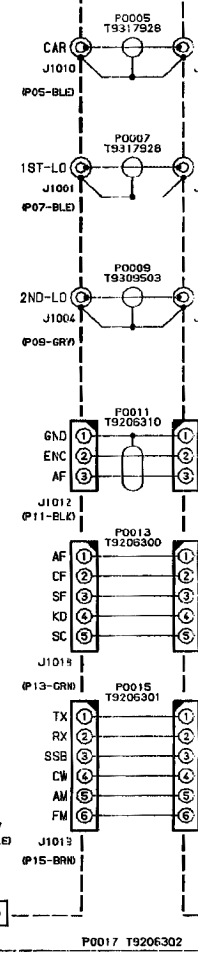
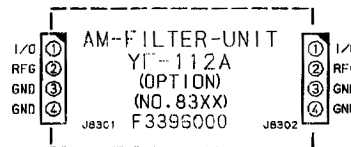
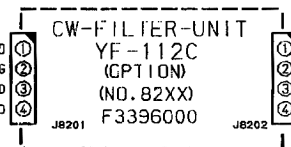
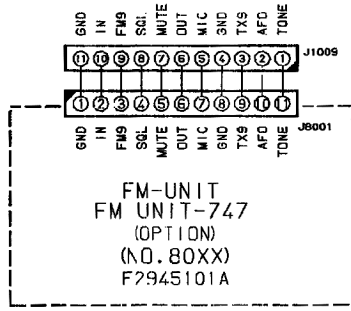
P-SW

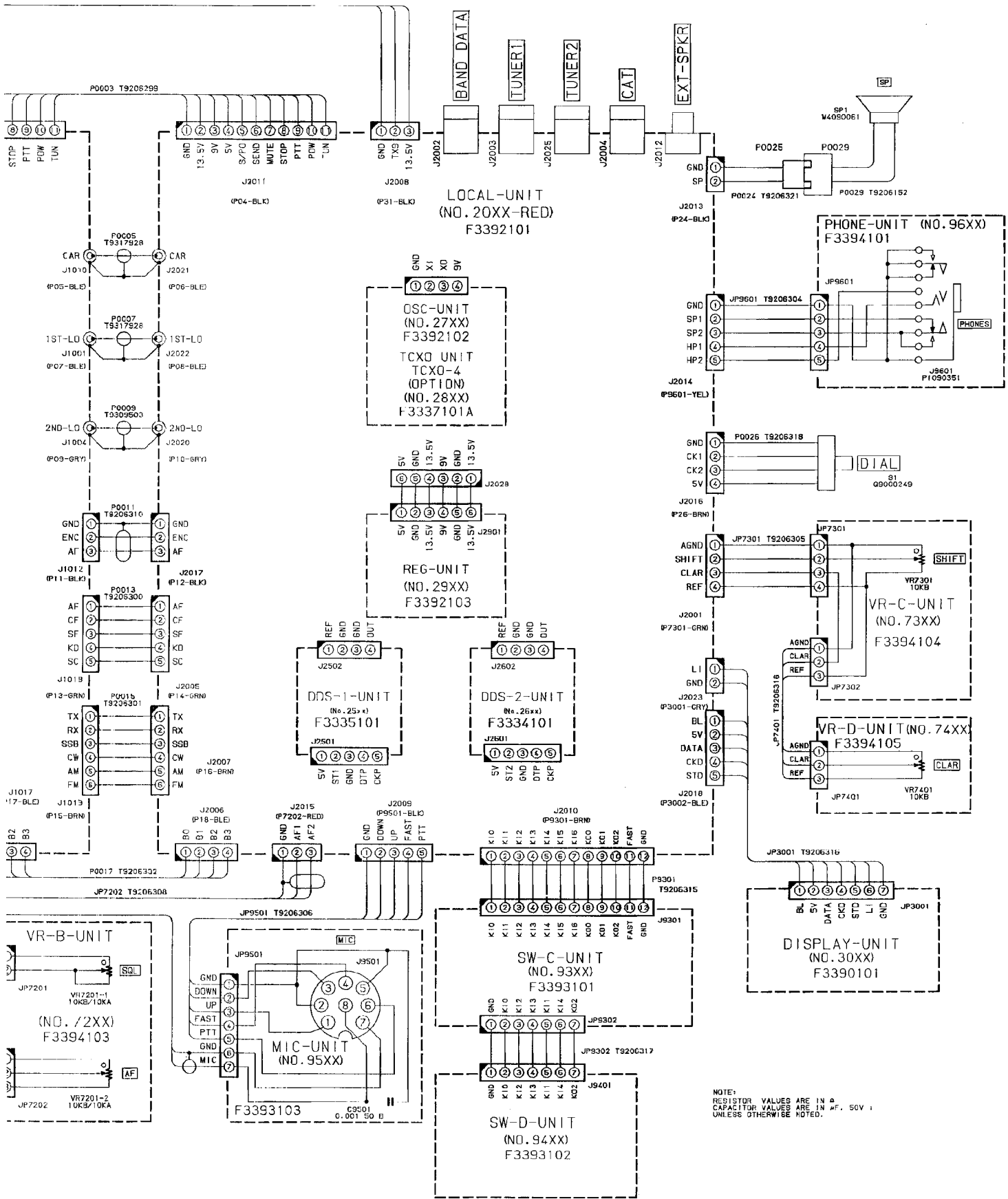
GND





MAIN-UNIT
(NO. 10XX-BLUE)
F3391000





LOCAL-UNIT
(NO. 20XX-RED)
F3392101

OSC-UNIT
(NO. 27XX)
F3392102

TCXO UNIT
TCXO-4
(OPTION)
(NO. 28XX)
F3337101A

REG-UNIT
(NO. 29XX)
F3392103

DDS-1-UNIT
(No. 25xx)
F3335101

DDS-2-UNIT
(No. 26xx)
F3334101

PHONE-UNIT (NO. 96XX)
F3394101

VR-C-UNIT
(NO. 73XX)
F3394104

VR-D-UNIT (NO. 74XX)
F3394105

VR-B-UNIT
(NO. 72XX)
F3394103

MIC-UNIT
(NO. 95XX)
F3393103

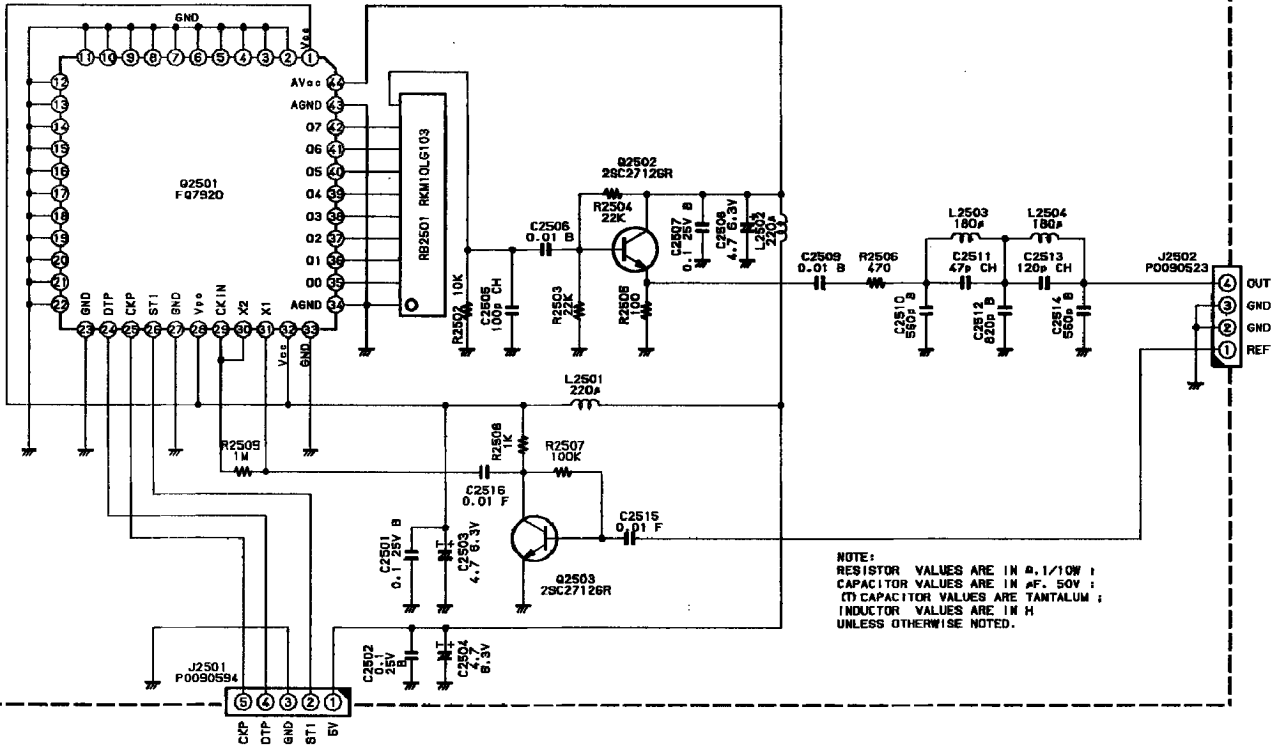
SW-C-UNIT
(NO. 93XX)
F3393101

SW-D-UNIT
(NO. 94XX)
F3393102

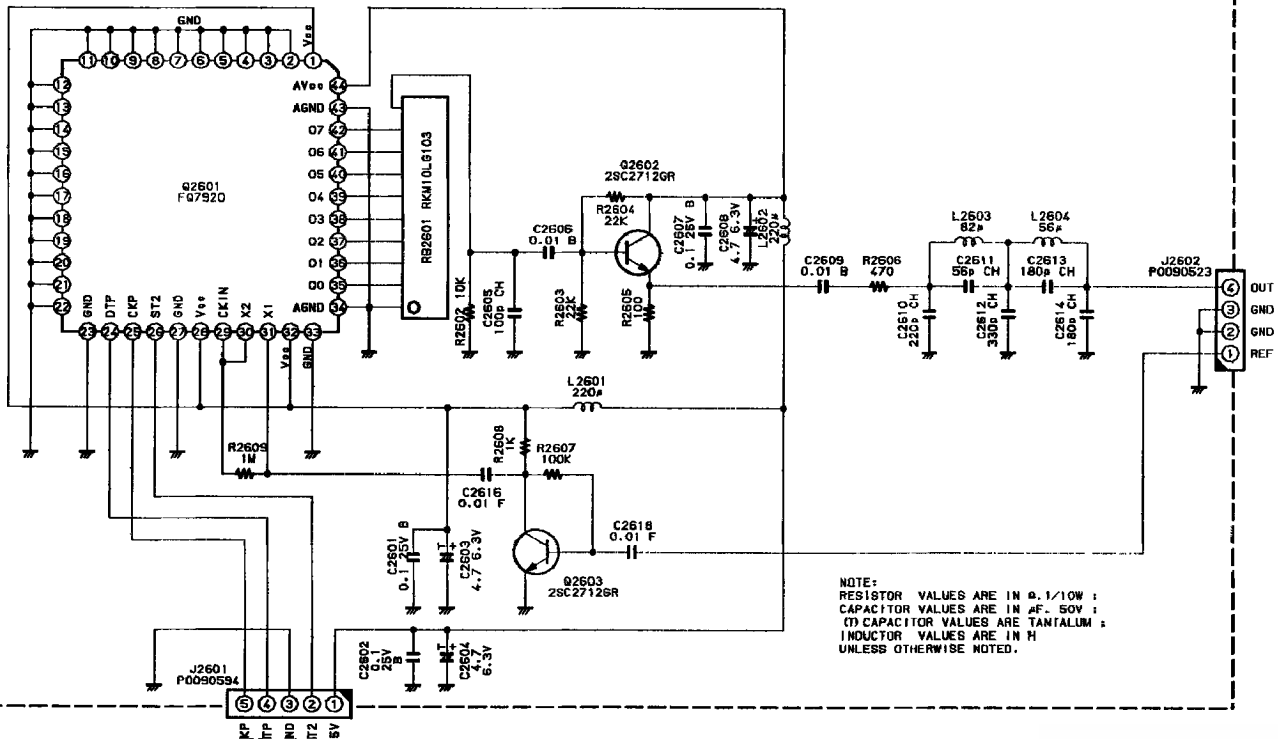
DISPLAY-UNIT
(NO. 30XX)
F3390101

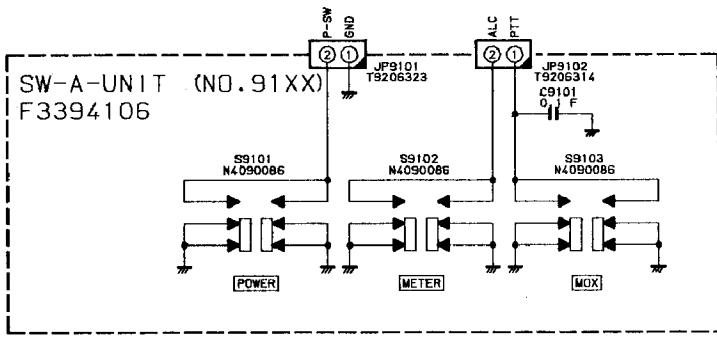
NOTE:
RESISTOR VALUES ARE IN Ω ,
CAPACITOR VALUES ARE IN μ F. 50V ;
UNLESS OTHERWISE NOTED.

DDS-1-UNIT (NO.25XX)
F3335101

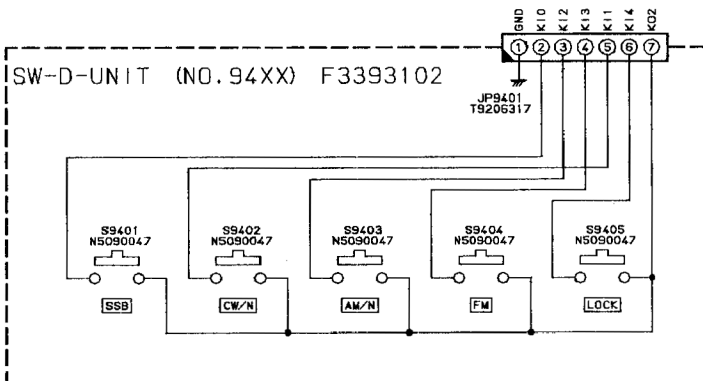
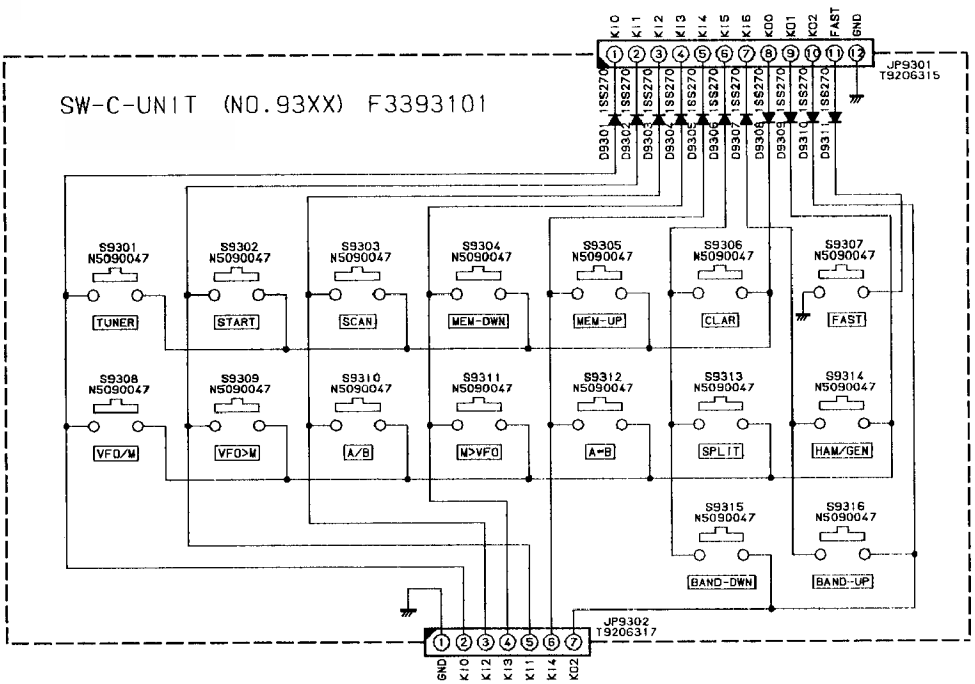
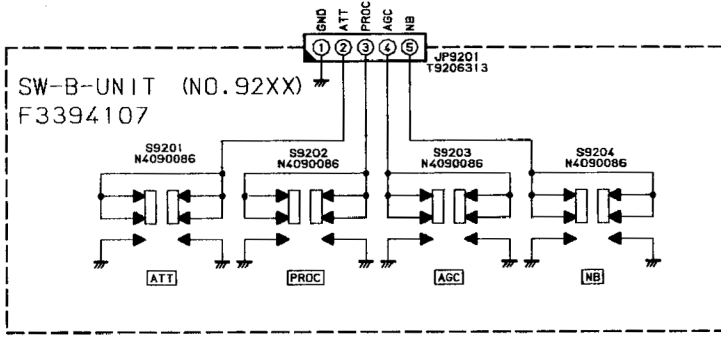


DDS-2-UNIT (NO.26XX)
F3334101

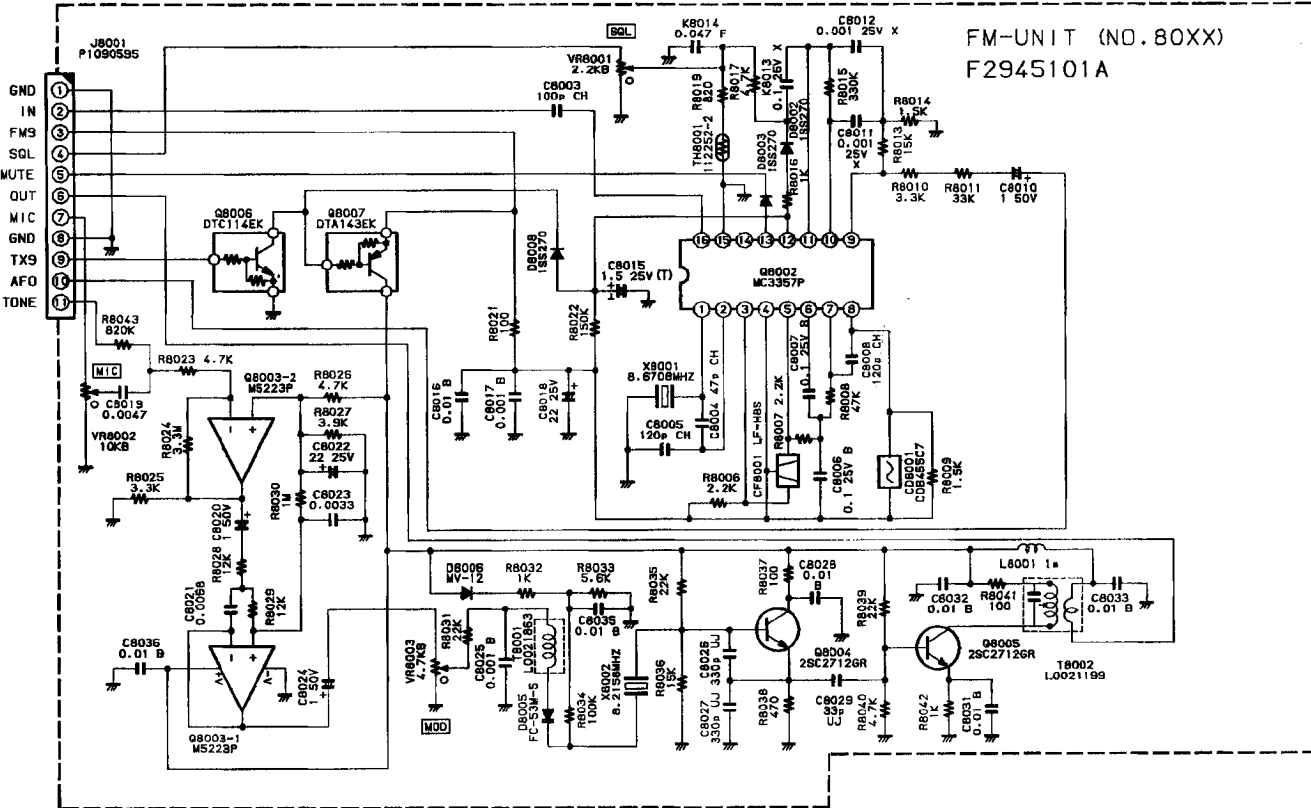




NOTE:
RESISTOR VALUES ARE IN Ω

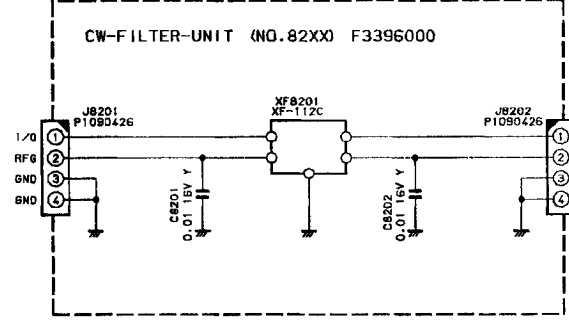


FM-UNIT (NO.80XX)
F2945101A

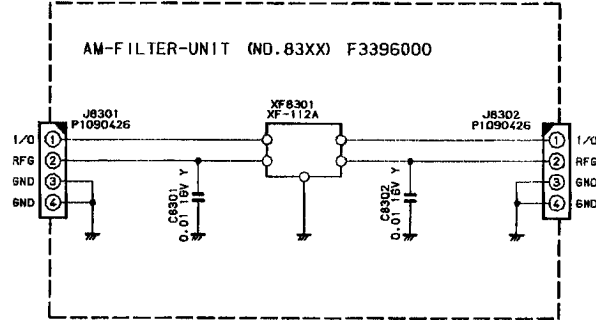


NOTE:
RESISTOR VALUES ARE IN Ω , 1/10W ;
CAPACITOR VALUES ARE IN μ F, 50V ;
(T) CAPACITOR VALUES ARE TANTALUM ;
INDUCTOR VALUES ARE IN H
UNLESS OTHERWISE NOTED.

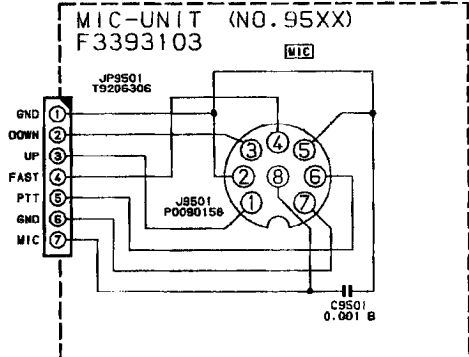
CW-FILTER-UNIT (NO.82XX) F3396000



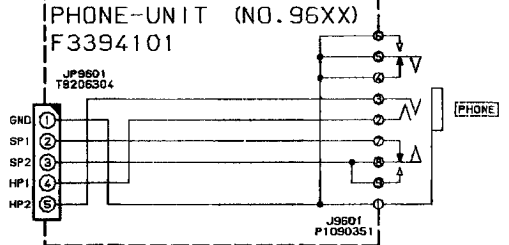
AM-FILTER-UNIT (NO.83XX) F3396000

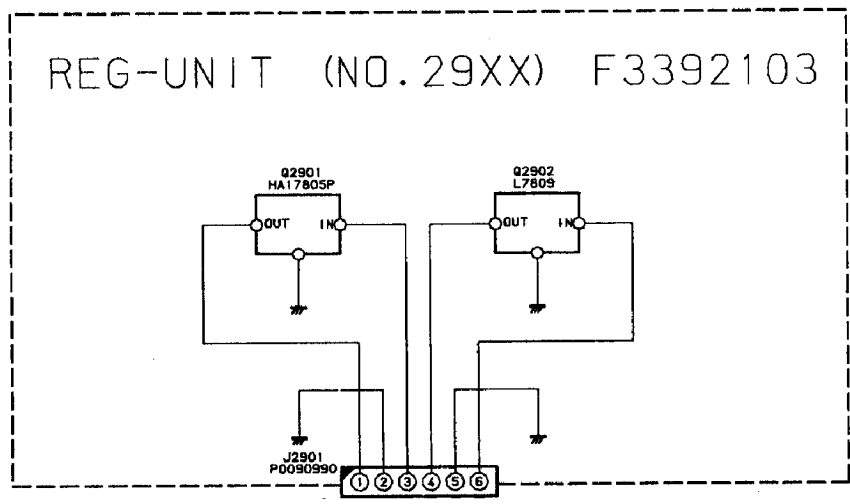
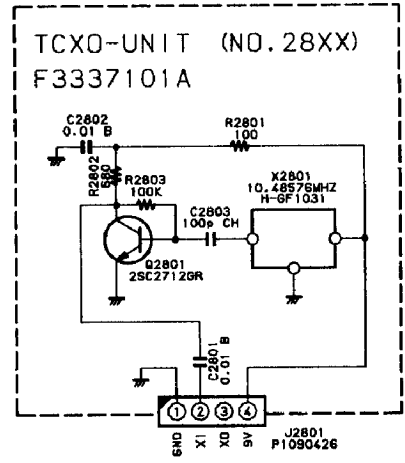
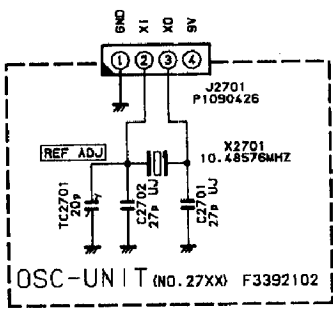
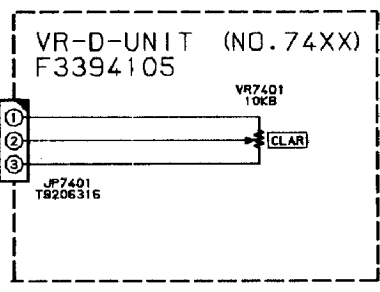
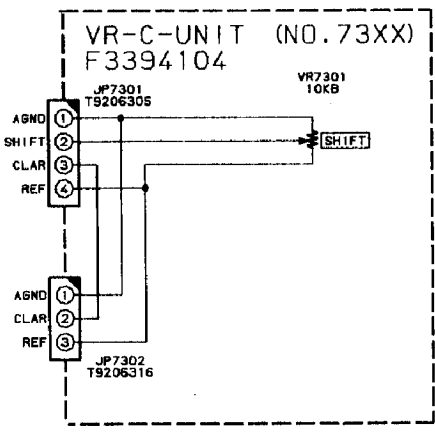
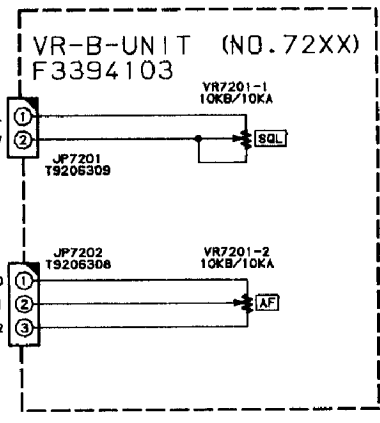
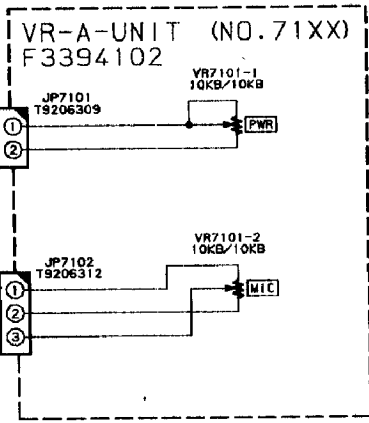


MIC-UNIT (NO.95XX)
F3393103

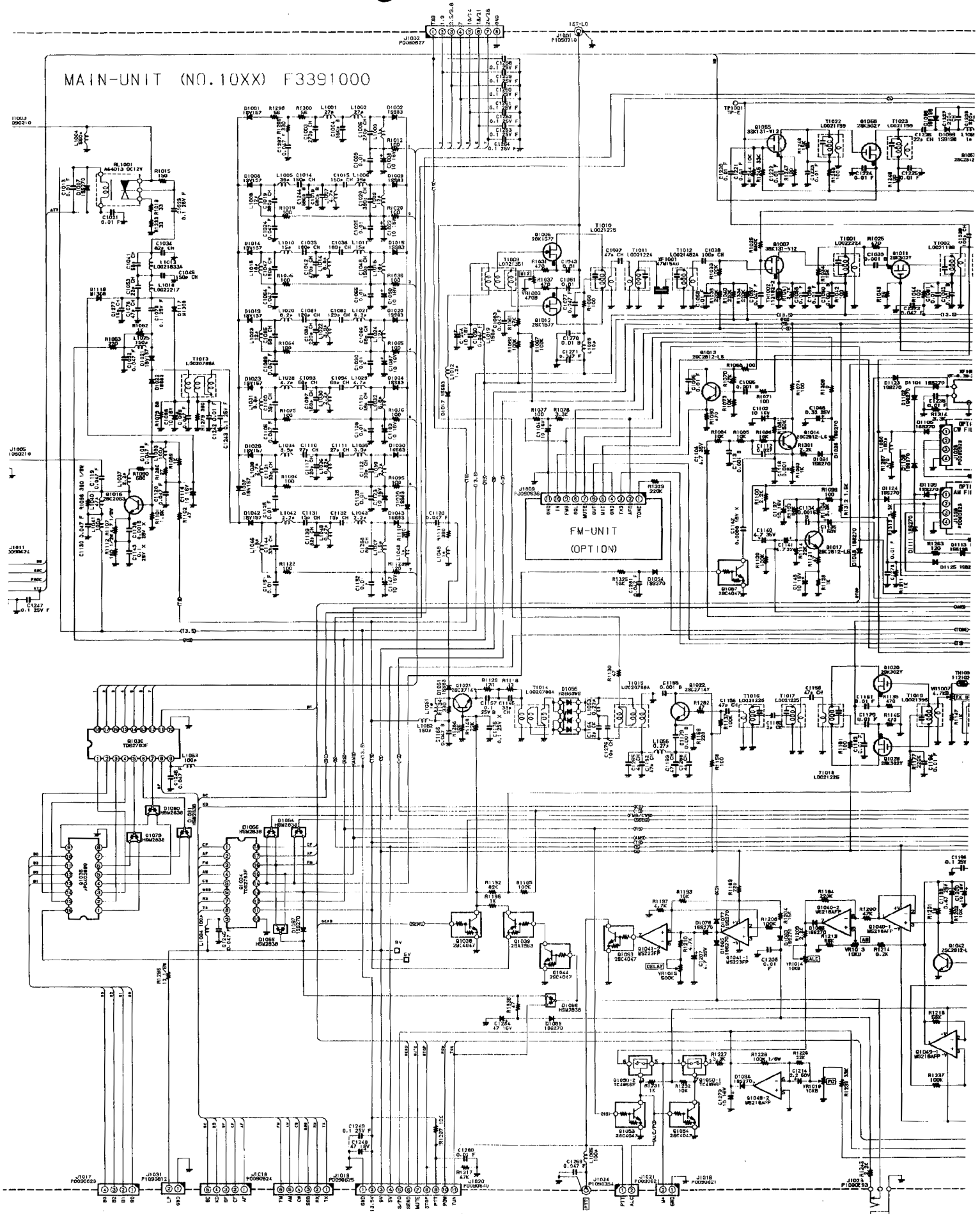


PHONE-UNIT (NO.96XX)
F3394101





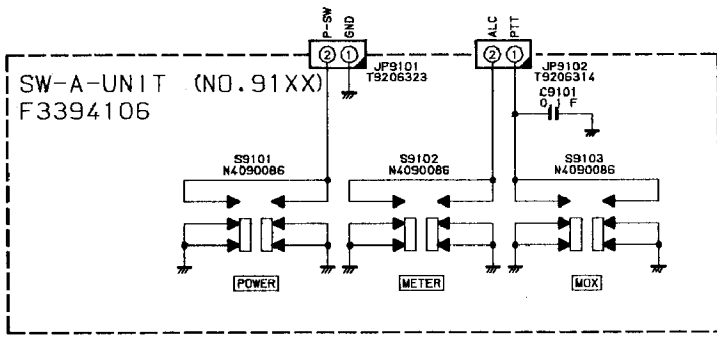
T-840 Circuit Diagram





NOTE:
RESISTOR VALUES ARE CAPACITOR VALUES ARE IN MICROFARADS UNLESS OTHERWISE NOTED.
INDUCTOR VALUES ARE IN MILLIHENRYS UNLESS OTHERWISE NOTED.

J1004 P100210
J1007 P000623
J1010 P100017
J1020 P100034
J1012 P000622
R1350 47K
J1015 P000621
J1016 P000621
J1015 P100036



NOTE:
RESISTOR VALUES ARE IN Ω

